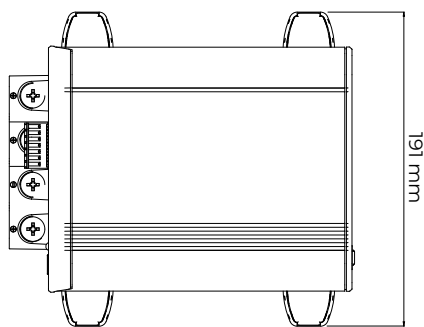
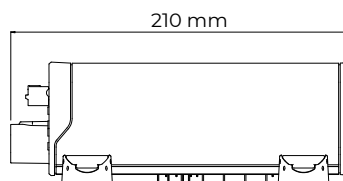


POWERSERVICE PSB

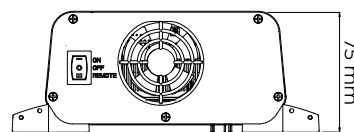
Code: PSB 12-40



UPPER



SIDE



FRONT

Code	PSB 12-40	
INPUT VOLTAGE (RANGE)	12 VDC (9V- 16V)	
NUMBER OF INPUTS	1	
NUMBER OF OUTPUTS	1	
MAX INPUT VOLTAGE	35 VDC	
OUTPUT VOLTAGE (RANGE)	12 VDC (9V-16V)	
OUTPUT CHARGE CURRENT "XX"	40 A	
PEAK EFFICIENCY	97%	
SELF CONSUMPTION IN STANDBY	<4mA	
CHARGING ALGORITHM	OptiCharge with 7 stages	
TEMPERATURE COMPENSATION	-24mV/°C with temperature probes (optional)	
BATTERY TEMPERATURE PROBE	TS002 for Leisure battery	
CHARGING ACTIVATION THRESHOLD > D+ SIGNAL ACTIVE AND V_{ENGINE BATTERY}	DIP SWITCH 1 => OFF	>13,3V
	DIP SWITCH 1 => ON	>11,7V
CHARGING DEACTIVATION THRESHOLD > D+ SIGNAL INACTIVE OR V_{ENGINE BATTERY}	DIP SWITCH 1 => OFF	<12,7V
	DIP SWITCH 1 => ON	<11,2V
OPERATING TEMPERATURE	-20°C to +60°C (with thermal derating)	
HUMIDITY	95% non condensing	
COMMUNICATION PROTOCOL	N-BUS and CI-BUS	
FAN ASSISTED COOLING	Yes (Speed controlled)	
POWER SUPPLY FUNCTION	Yes	
OUTPUT VOLTAGE SENSING	Yes	
INPUT CURRENT LIMIT LEVEL	Yes	
OUTPUT CURRENT LIMIT LEVEL	Yes	
ENCLOSURE		
COLOR AND MATERIAL	Black ABS+PC UL94 V0 Black Anodized Aluminium	
POWER TERMINAL	4 Positions M8 Screws up to 50mm ² /1AWG	
WEIGHT	1080g	
DIMENSIONS	210x191x75mm	
STANDARDS		
EMISSION	EN 61000-6-3, EN 55014-1	
IMMUNITY	EN 61000-6-2, EN 61000-6-1, EN 55014-2	
AUTOMOTIVE DIRECTIVE	ECE R10-6	